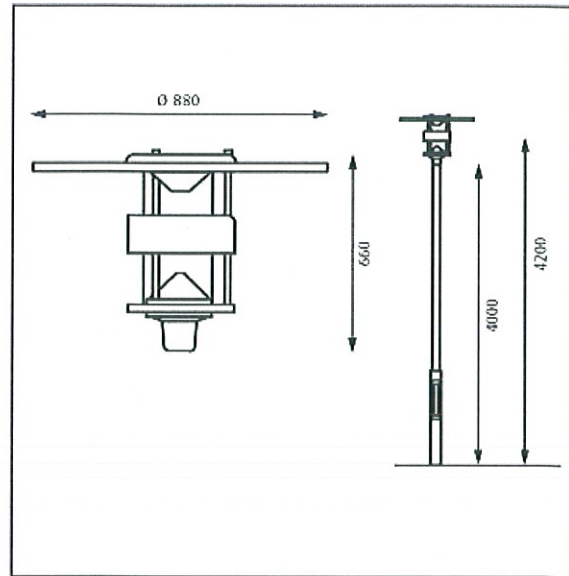


Albertslund Maxi Post LED

Attachment 7



Design: Jens Møller-Jensen

Concept: The fixture emits symmetrical glare-free light directed downwards. The top shade helps direct the light downwards and prevent light from being emitted upwards. The white painted reflectors result in diffuse and comfortable light distribution.

Finish: Aluminium coloured with textured surface, graphite with textured surface or grey, powder coated.

Material: Top shade: Form pressed glass fibre. Enclosure: Injection moulded clear polycarbonate. Anti glare ring/Heatsink: Die cast aluminium. Base: Die cast aluminium. Struts: Aluminium.

Mounting: Pole dimension: Ø 76mm. Installation cable: 5m 3x1,5mm² + 2x0,5mm² (Class I) or 5m 2x1,5mm² + 2x0,5mm² (Class II). LED driver: In fixture head.

Weight: Max. 19kg.

Class: Ingress protection IP66. Electric shock protection I w. ground, II w/o ground.

Product code	Light source	Finish	Class	Lighting control
ALB-MA-PT-LED	LED 3000K LED 4000K	ALU COL TEXT GRAPH TEX1 GREY	I II	DIM 1-10V

Specification notes
The LED driver is integrated in the fixture. All LED efficiency information are measured as system power. For actual power consumption see www.louispuulsen.com.

Info notes
The innovation of the LED technology is constant. The specifications mentioned are based on present technology. Please find updated info on products on our website www.louispuulsen.com.

**louis
puulsen**



Outdoor lighting

D814

Contemporary Outdoor Luminaire

Job Information

Type:

Catalog #:

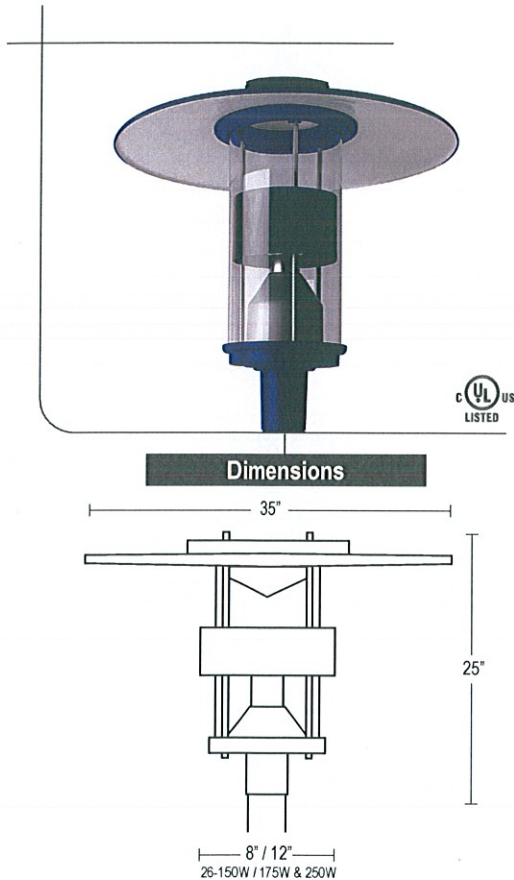
Project:

Comments:

Prepared by:

Outdoor Lighting D E C O™

LIGHTING



Description

The D814 Contemporary Outdoor Luminaire provides glare free and symmetrical illumination. The design of the top shade ensures the majority of the light is directed downward. The anti-glare ring shields the lamp from direct view. Standard finish is dark bronze, but other architectural colors are available. Ideal for streets, parking lots, and surrounding areas.

Features

- Housing is 1/8" thick spun aluminum hood with (4) 1" O.D. extruded aluminum supports and cast aluminum pole fitter.
- Spun aluminum white painted reflector.
- Injection molded polycarbonate cylinder lens.
- High power factor ballast is removable for easy maintenance.

ORDERING INFORMATION:

Example: (D814-100-M-MT-BZ-LP)

D814	Wattage	Lamp Source	Voltage	Finish	Options
Contemporary Outdoor Luminaire	35 - 35W 50 - 50W 70 - 70W 100 - 100W 150 - 150W 175 - 175W 250 - 250W	M - Metal Halide PS - Pulse Start Metal Halide S - High Pressure Sodium C - Compact Fluorescent	EB - 120/277V Electronic Ballast DT - 120/277V MT - 120/208/240/277V	BZ - Bronze ¹ BK - Black WH - White SL - Silver G - Green CC - Custom ²	WSF - Wired Single Fuse ³ WDF - Wired Double Fuse ³ LP - Lamp Included PC - Photocell ³ QR - Quartz restrrike



¹ Standard color for this fixture
² Contact factory for custom finishes
³ Please specify voltage (eg. 120V)