

RECEIVED
OCT 22 2014
BY: EM

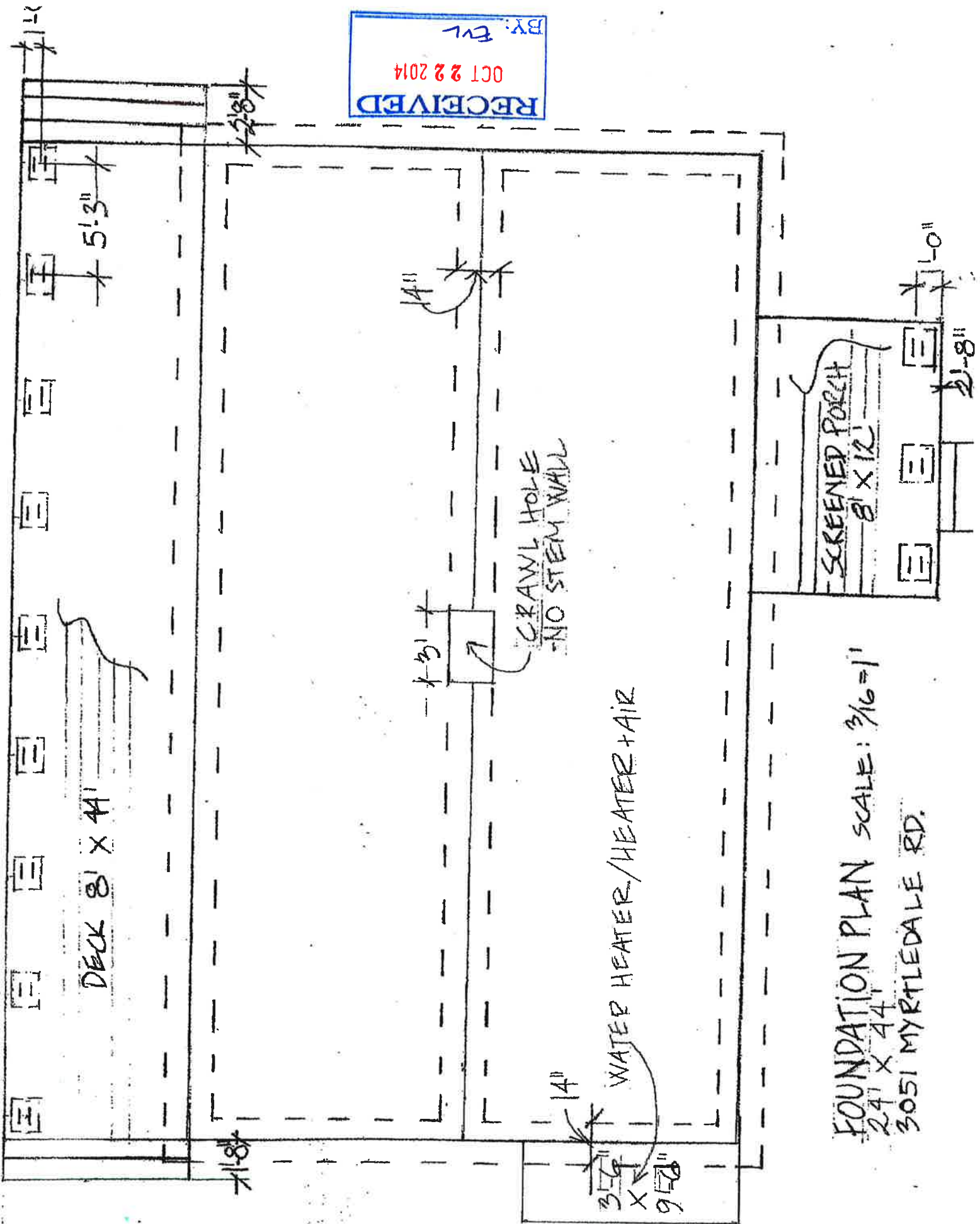


SCALE: 1"=20'
PLOT PLAN

DAVE ANDERSEN
A.P. # 17-221-007
3051 MYRTLEDALE RD
CALISTOGA, CA.

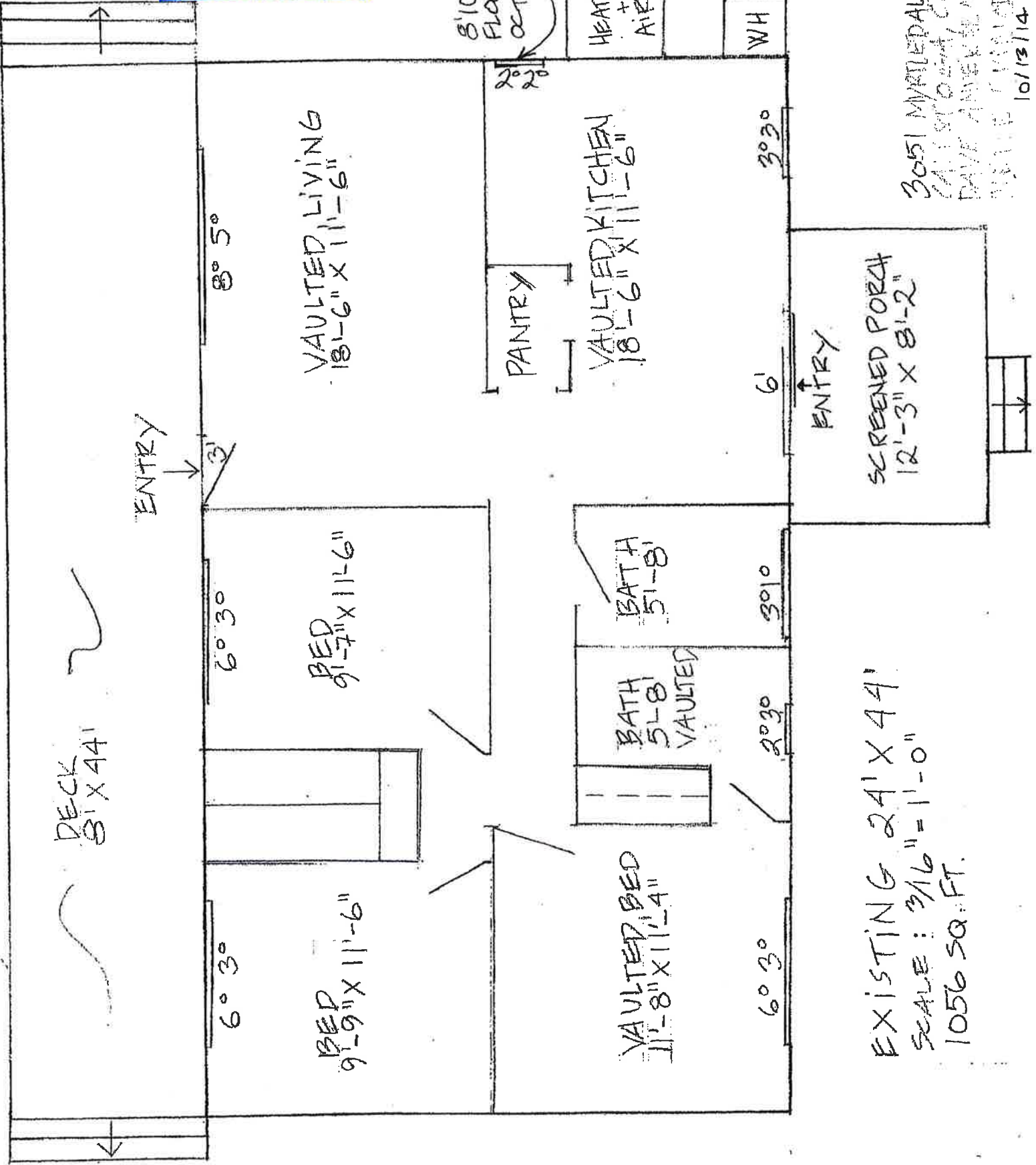
WELL
13'

RECEIVED
OCT 22 2014
BY: EWL



FOUNDATION PLAN SCALE: 3/16"=1'
24' X 44'
3051 MYRTLEDALE RD.

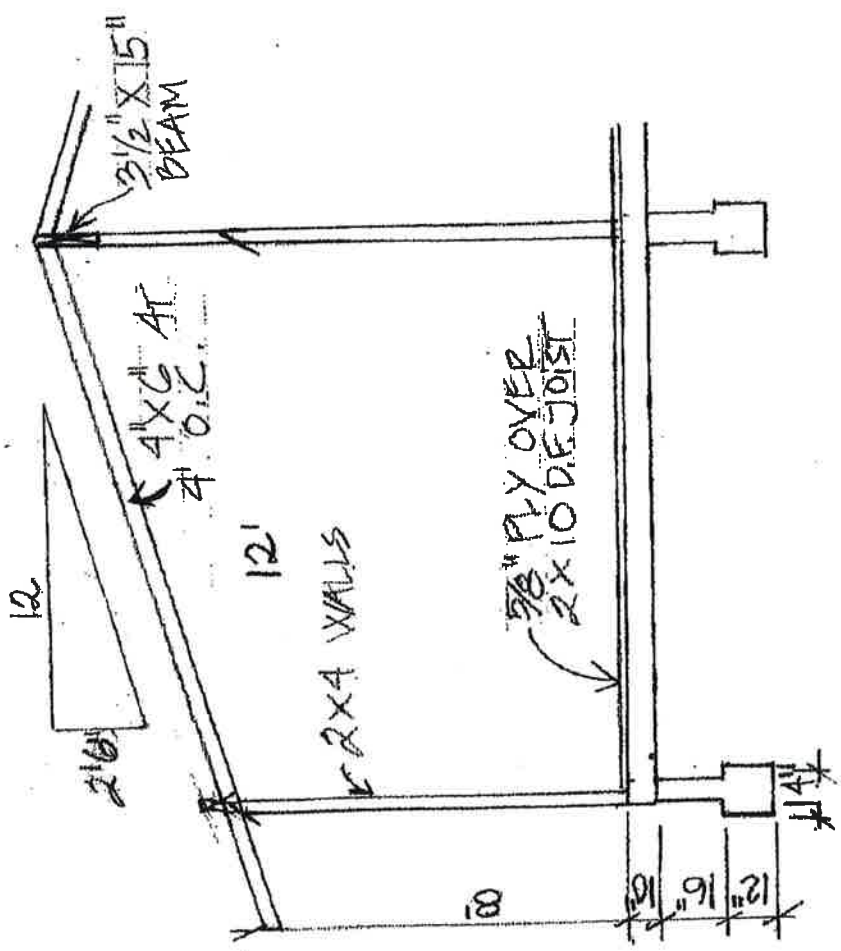
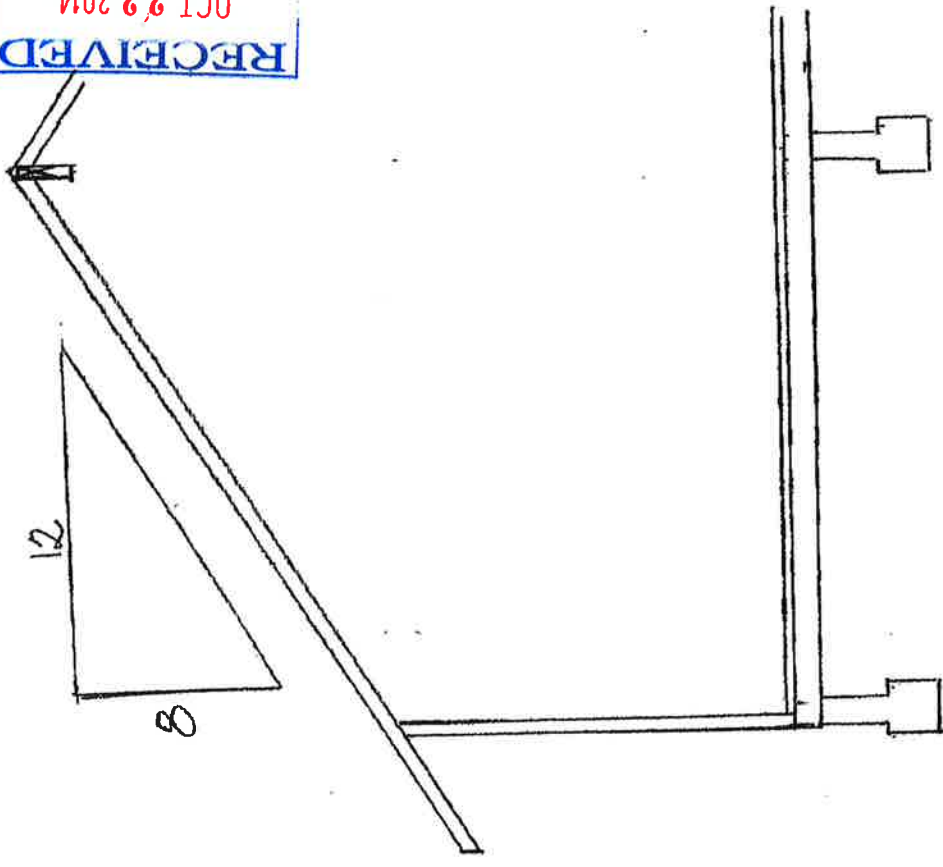
RECEIVED
 OCT 22 2014
 BY: EVL



EXISTING 24' X 44'
 SCALE: 3/16" = 1'-0"
 1056 SQ. FT.

3051 MYRTLEDALE RD
 CA 95024
 DAVE ANNEHEAL
 10/13/14

RECEIVED
 OCT 22 2014
 E.V.L.

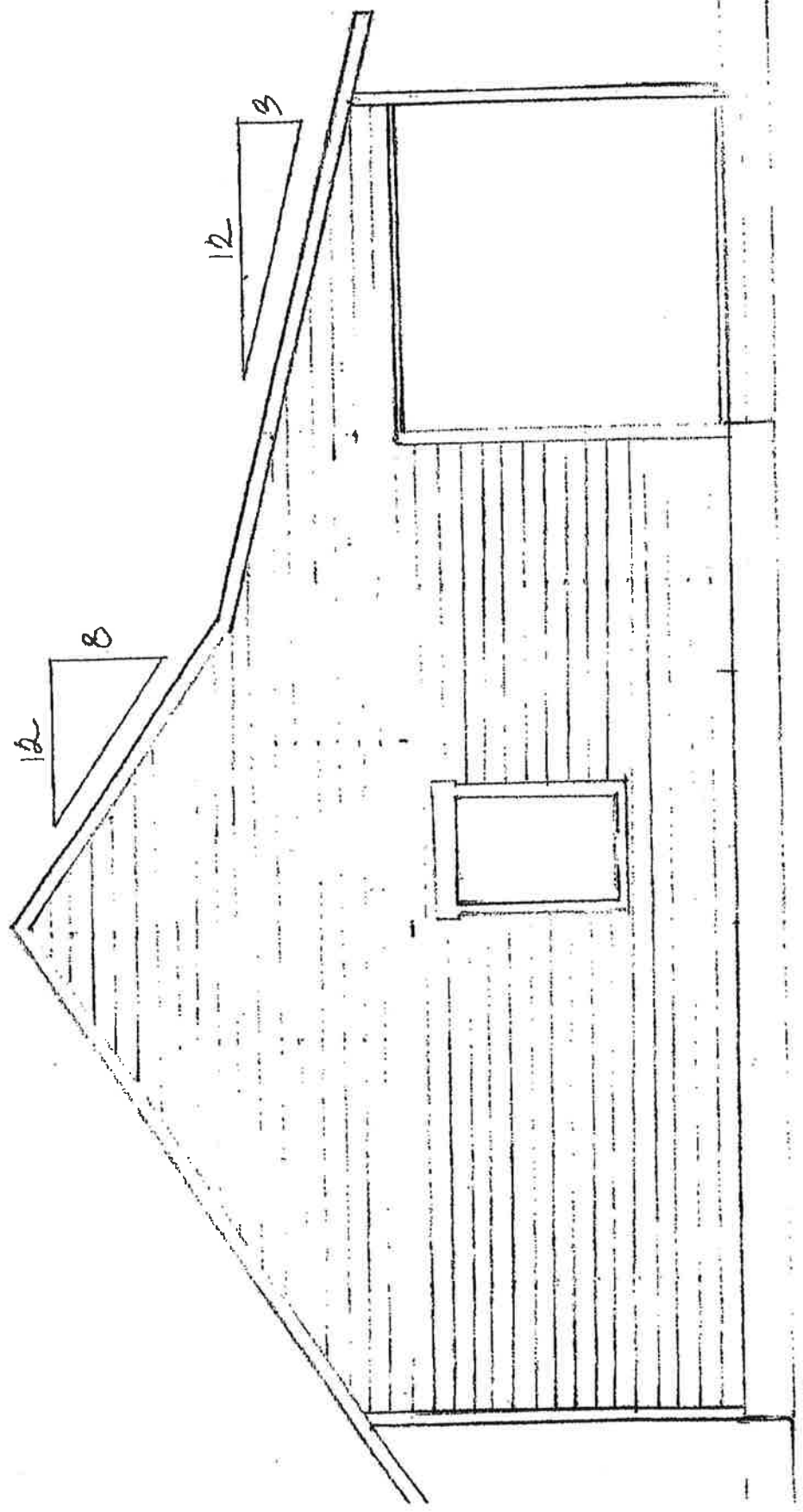


PROPOSED NEW ROOF
 OVER OLD ROOF

EXISTING SCALE: 3/16" = 1'-0"

RECEIVED
OCT 22 2014
BY: EML

PROPOSED COVERED PORCH
8" X 4" DECK SCALE 1/4" = 1'-0"
3051 MYRTLEDALE RD.



9/28/14