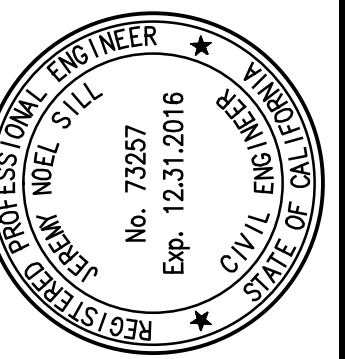


FAIR WAY PATH EXTENSION CONSTRUCTION PLANS

ATTACHMENT 2



PREPARED UNDER THE DIRECTION OF
 JEREMY NOEL STILL, RCE 73257
 DESIGNED BY JNS
 DRAWN BY CEC
 REVIEWED BY JNS

1515 FOURTH STREET
 NAPA, CALIF. 94559
 OFFICE (707) 252-3301
 + www.rsacivil.com +
RSA+
 RSA+ CONSULTING CIVIL ENGINEERS + SURVEYORS + (1986)



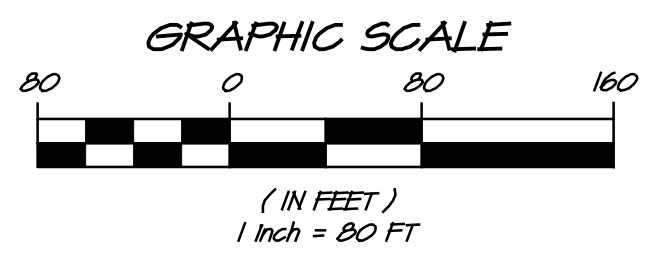
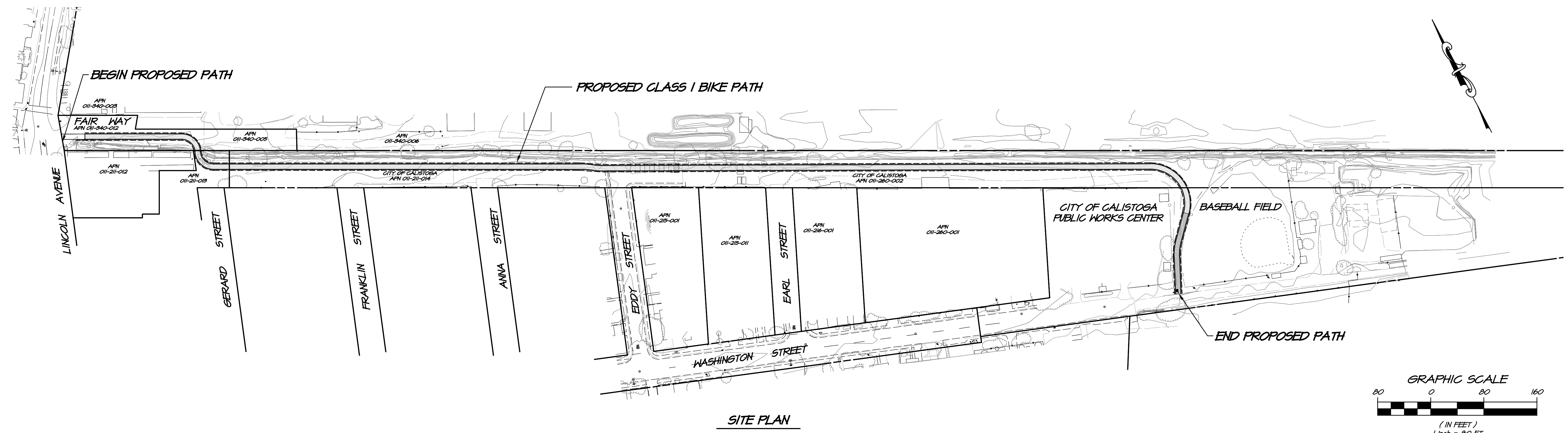
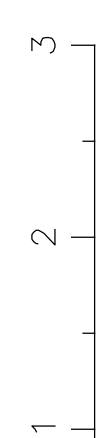
CALIFORNIA

FAIR WAY PATH EXTENSION
COVER SHEET

CITY OF CALISTOGA

PROJECT NUMBER
4113069.0
 DRAWING DATE
JULY 6, 2016
 SHEET NUMBER
C1 OF 8

FOR REDUCED PLANS, THE ORIGINAL SCALE IS IN INCHES



ABBREVIATIONS

AB	AGGREGATE BASE	MAX	MAXIMUM
AC	ASPHALT CONCRETE	MIN	MINIMUM
APN	ASSESSOR PARCEL NUMBER	MH	MANHOLE
BC	BEGIN CURVE	MON	MONUMENT
BM	BENCHMARK	MUTCD	MANUAL ON UNIFORM TRAFFIC CONTROL DEVICES
BSH	BACK OF SIDEWALK	OC	ON CENTER
BVC	BEGIN VERTICAL CURVE	OH	OVERHEAD
C&G	CURB AND GUTTER	PCC	PORTLAND CONCRETE CEMENT
CB	CATCH BASIN	PG&E	PACIFIC GAS AND ELECTRIC
CL	CENTERLINE	PI	POINT OF INTERSECTION
CO	CLEANOUT	PL	PROPERTY LINE
DIP	DUCTILE IRON PIPE	PRC	POINT OF REVERSE CURVE
DWS	DRAWING	FRVC	POINT REVERSE VERTICAL CURVE
EL, ELEV	ELEVATION	PVC	POLYVINYL CHLORIDE
EC	END OF CURVE	PVI	POINT OF VERTICAL INTERSECTION
EG	EX GROUND	R	RADIUS
EP	EDGE OF PAVEMENT	RC	RELATIVE COMPACTION
EX	EXISTING	RT	RIGHT
EVC	END VERTICAL CURVE	RW	RETAINING WALL
FG	FINISH GRADE	ROW	RIGHT OF WAY
FH	FIRE HYDRANT	S	SLOPE (FEET/FOOT)
FS	FIRE SERVICE	SD	STORM DRAIN
FL	FLOW LINE	SHDLR	SHOULDER
GB	GRADE BREAK	SS	SANITARY SEWER
HP	HIGH POINT	STA	STATION
INST	INSTALL	STD	STANDARD
INV	INVERT	TC	TOP OF CURB
IP	IRON PIPE	TH	TOP OF WALL
JP	JOINT POLE	TYP	TYPICAL
L	LENGTH	VC	VERTICAL CURVE
LF	LINEAL FEET/FOOT	VM	WATER METER
LO	LIVE OAK TREE	WM	WATER METER
LP	LOW POINT	WO	WHITE OAK TREE
		WV	WATER VALVE

LEGEND

	SANITARY SEWER LINE		SIGN
	FLOWLINE		WATER VALVE
	WIRE FENCE		FIRE HYDRANT
	WOOD FENCE		SANITARY SEWER MANHOLE
	CHAINLINK FENCE		TREE (AS NOTED)
	GRADE BREAK		SURVEY CONTROL STATION
	TOE OF BANK		JOINT POLE WITH GUY WIRE
	TOP OF BANK		EX SLOPE
	PROPERTY LINE		TREE TO BE REMOVED
	EDGE OF ROAD		
	TOP OF CURB		
	TOP OF WALL		
	OVERHEAD UTILITY LINES		
	CONTOUR LINE		

LIST OF DRAWINGS

C1	COVER SHEET
C2	NOTES
C3	PLAN & PROFILE
C4	PLAN & PROFILE
C5	PLAN & PROFILE
C6	PLAN & PROFILE
C7	EROSION & SEDIMENT CONTROL PLAN
C8	DETAILS

PROJECT INFORMATION

OWNER: CITY OF CALISTOGA
 OFFICE ADDRESS: 1232 WASHINGTON STREET
 CALISTOGA, CA 94515
 (707)-442-2821
 CIVIL ENGINEER: RSA+
 1515 FOURTH STREET
 NAPA, CA 94559
 (707) 252-3301
 PROJECT AREA OF DISTURBANCE: 0.92+ ACRES

PROJECT BENCHMARK

BENCHMARK: NAPA COUNTY BM #502-C. ELEVATION = 325.16'
 (NAVD 1988)
 PUBLISHED ELEVATION = 322.24' (NGVD 1929) CONVERSION PER
 CORPSCOM 6: +2.87'

**CALL USA
BEFORE EXCAVATING**

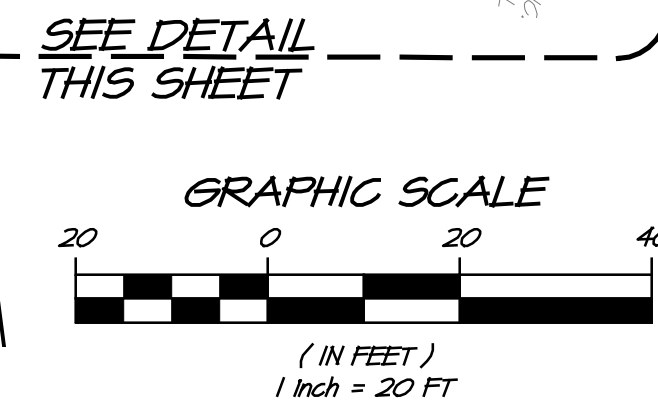
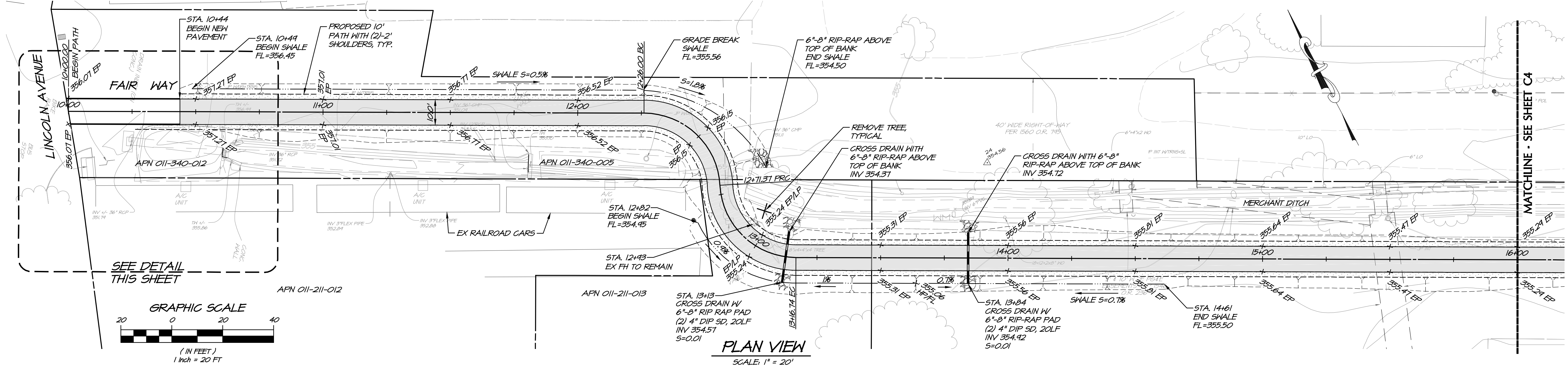


**48 HOURS IN ADVANCE
1 (800) 227-2600**

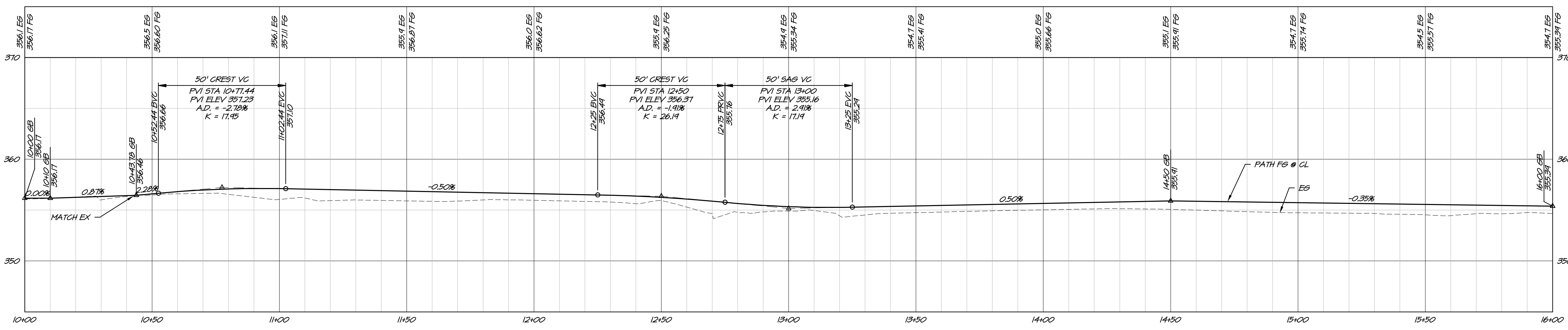
APPROVED FOR CONSTRUCTION:

MIKE KIRN
 PUBLIC WORKS DIRECTOR
 DATE

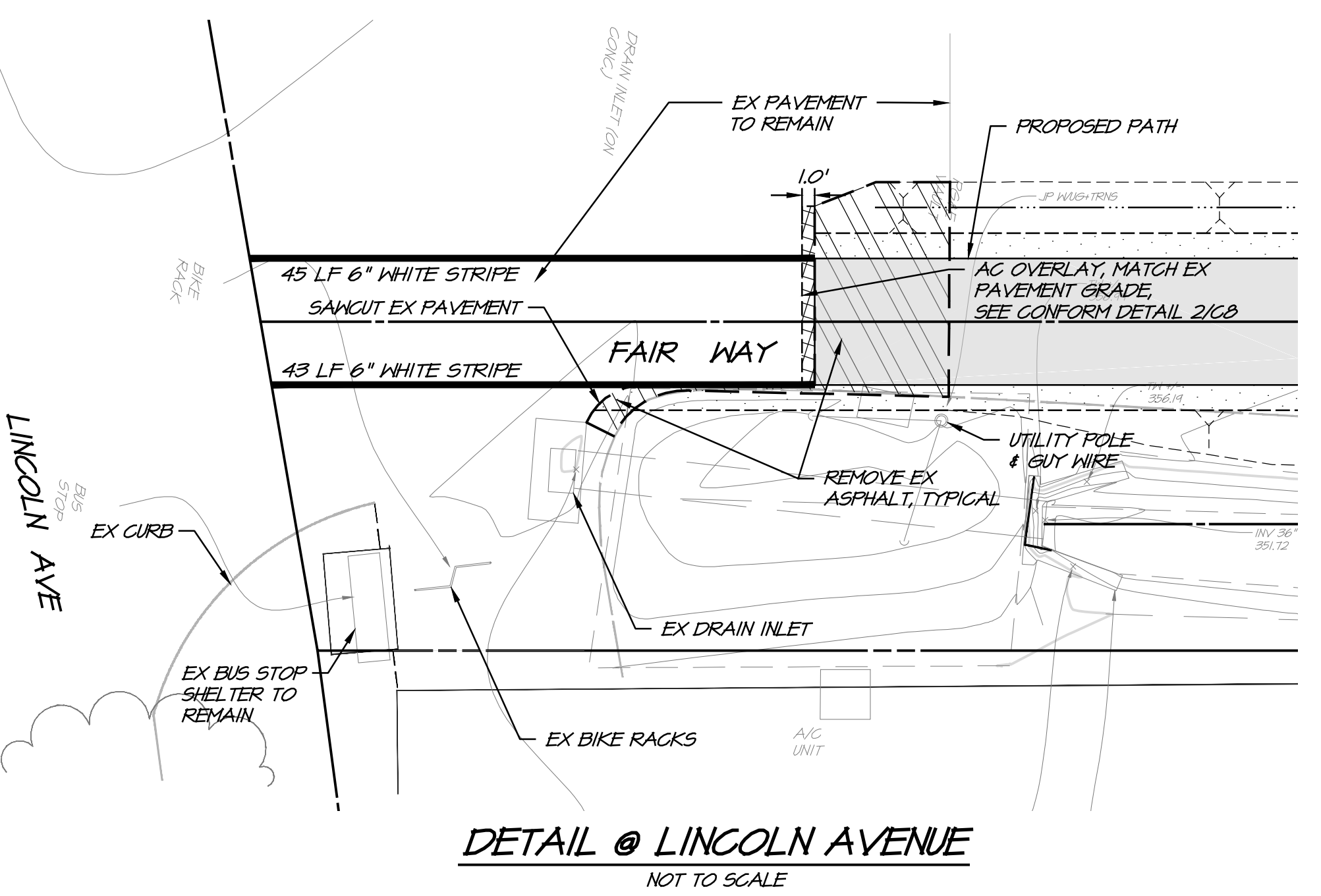
FOR REDUCED PLANS, THE ORIGINAL SCALE IS IN INCHES



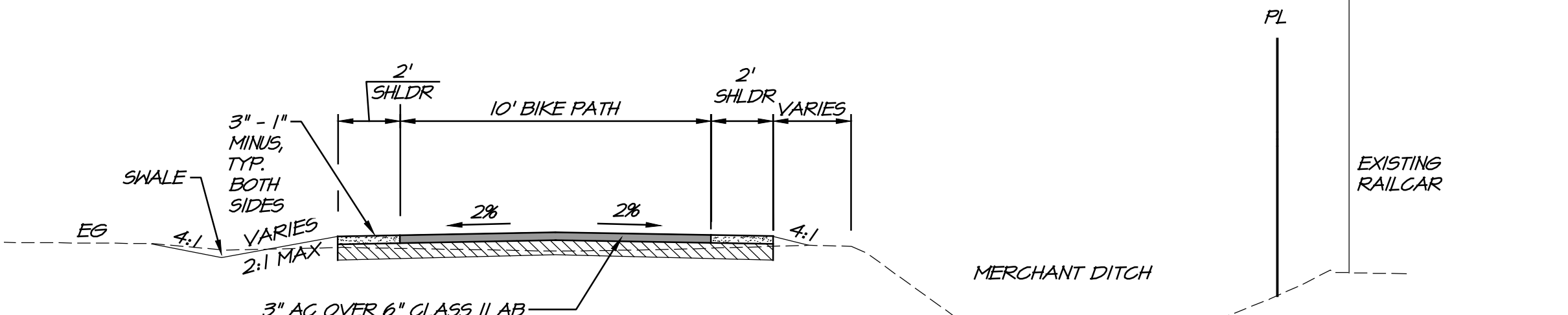
PLAN VIEW
SCALE: 1" = 20'



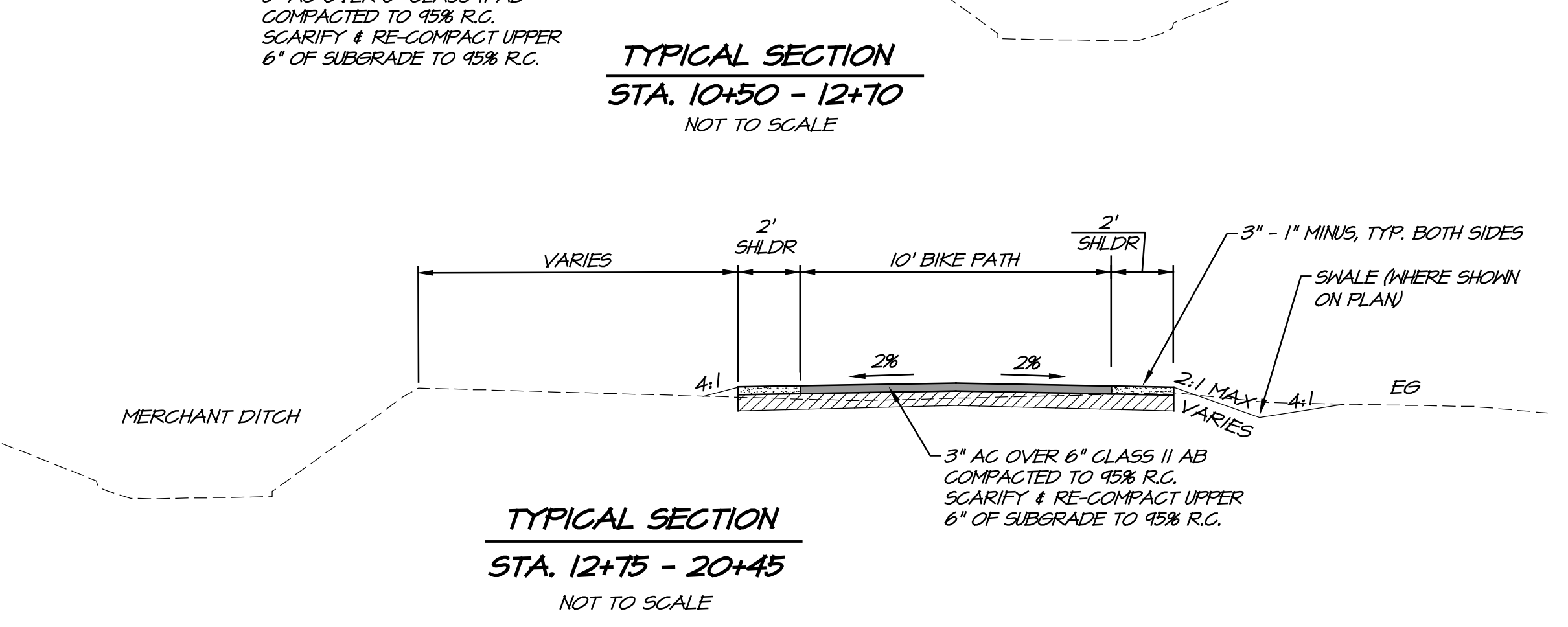
PROFILE
SCALE: 1" = 20'
SCALE: 1" = 5'



DETAIL @ LINCOLN AVENUE
NOT TO SCALE

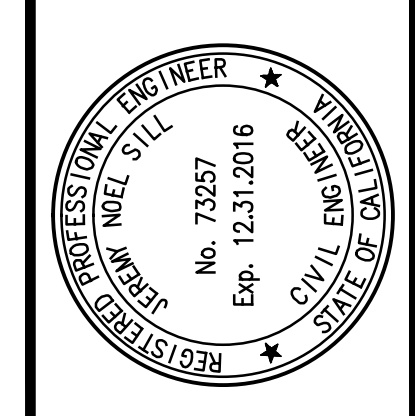


TYPICAL SECTION
STA. 10+50 - 12+70
NOT TO SCALE



TYPICAL SECTION
STA. 12+75 - 20+45
NOT TO SCALE

CONTRACTOR NOTE:
EXISTING GRADES HAVE BEEN MODIFIED SINCE THE TIME OF TOPOGRAPHIC SURVEY. PATH PROFILE IS INTENDED TO FOLLOW TYPICAL SECTIONS FOR RELATION TO EXISTING GRADES/SLOPES.



PREPARED UNDER THE DIRECTION OF
JEREMY NOEL SILL, RCE 73257
DESIGNED BY JNS
DRAWN BY CEC
REVIEWED BY JNS

RSA+
1515 FOURTH STREET
NAPA, CALIF. 94959
OFFICE 707.252.3301
WWW.RSACIVIL.COM

REGISTERED CIVIL ENGINEER
SURVEYORS + 1990



CITY OF CALISTOGA
CALIFORNIA

FAIR WAY PATH EXTENSION

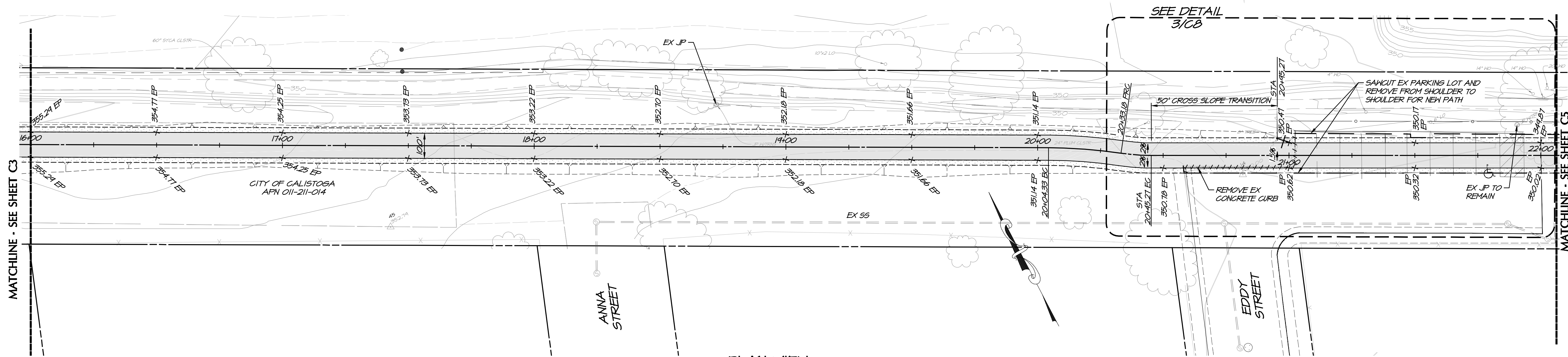
PLAN & PROFILE

PROJECT NUMBER
4113069.0

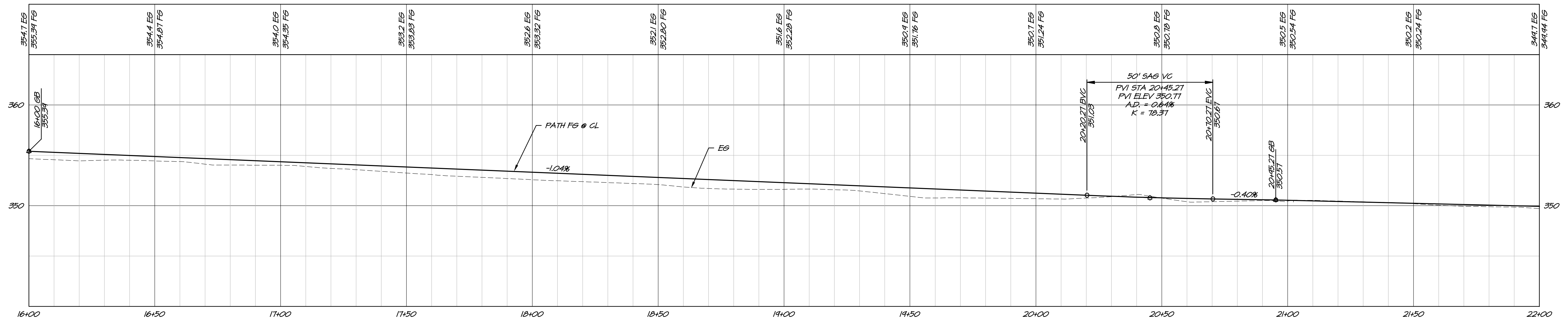
DRAWING DATE
JULY 6, 2016

SHEET NUMBER
C3 OF 8

FOR REDUCED PLANS, THE ORIGINAL SCALE IS IN INCHES

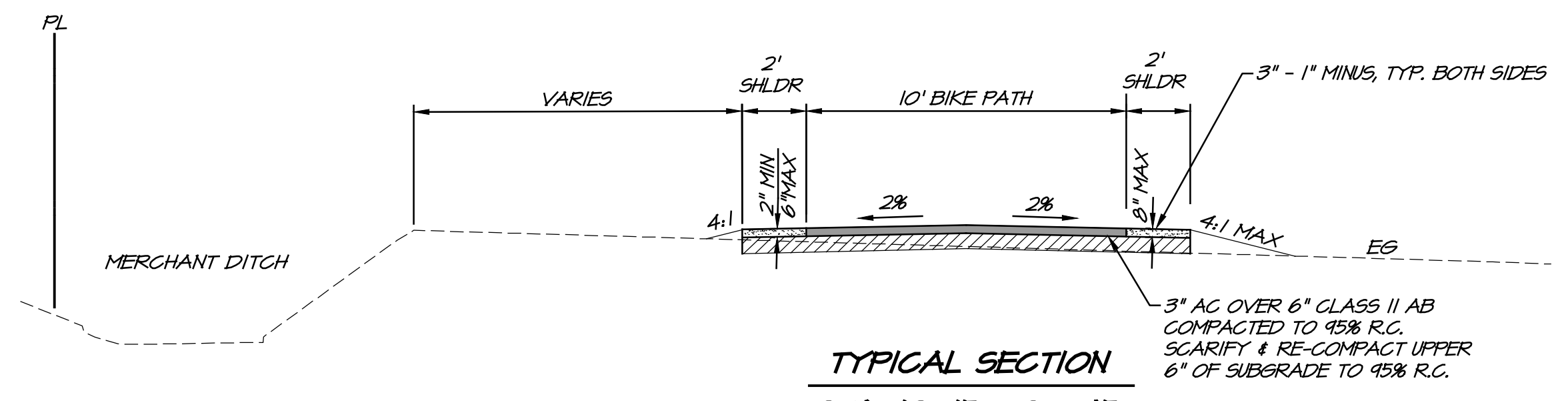


PLAN VIEW
SCALE: 1" = 20'

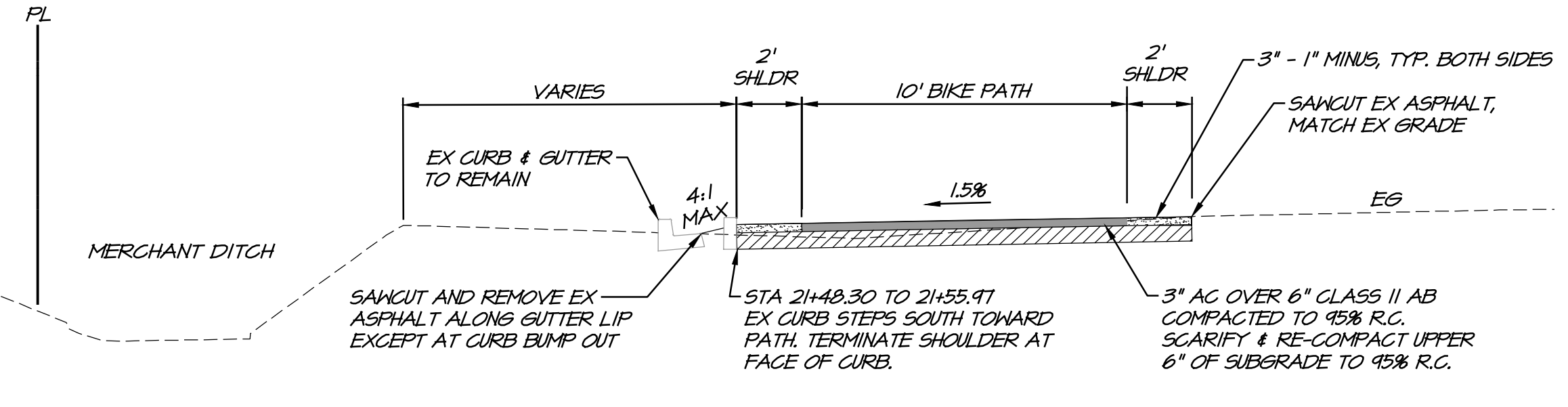


PROFILE
SCALE: 1" = 20'
SCALE: 1" = 5'

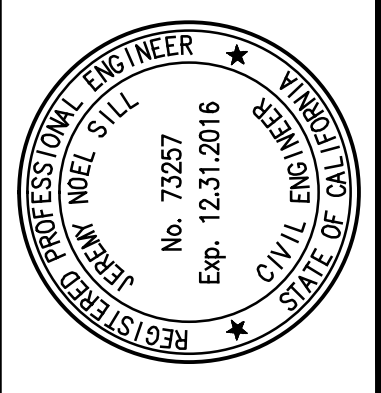
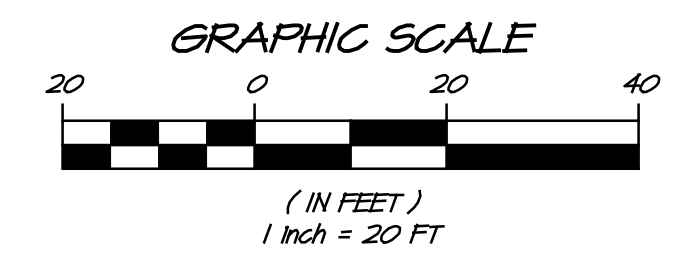
CONTRACTOR NOTE:
EXISTING GRADES HAVE BEEN MODIFIED SINCE THE TIME OF TOPOGRAPHIC SURVEY. PATH PROFILE IS INTENDED TO FOLLOW TYPICAL SECTIONS FOR RELATION TO EXISTING GRADES/SLOPES.



TYPICAL SECTION
STA. 12+75 - 20+45
NOT TO SCALE



TYPICAL SECTION
STA. 21+00 - 21+95
NOT TO SCALE



PREPARED UNDER THE DIRECTION OF
JEREMY NOEL SILL, RCE 73257
DESIGNED BY JNS
DRAWN BY CEC
REVIEWED BY JNS

RSA+
RSA+ CONSULTING CIVIL ENGINEERS + SURVEYORS + (1986)
1515 FOURTH STREET
NAPA, CALIF. 94559
OFFICE (707) 252-3301
WWW.RSACIVIL.COM



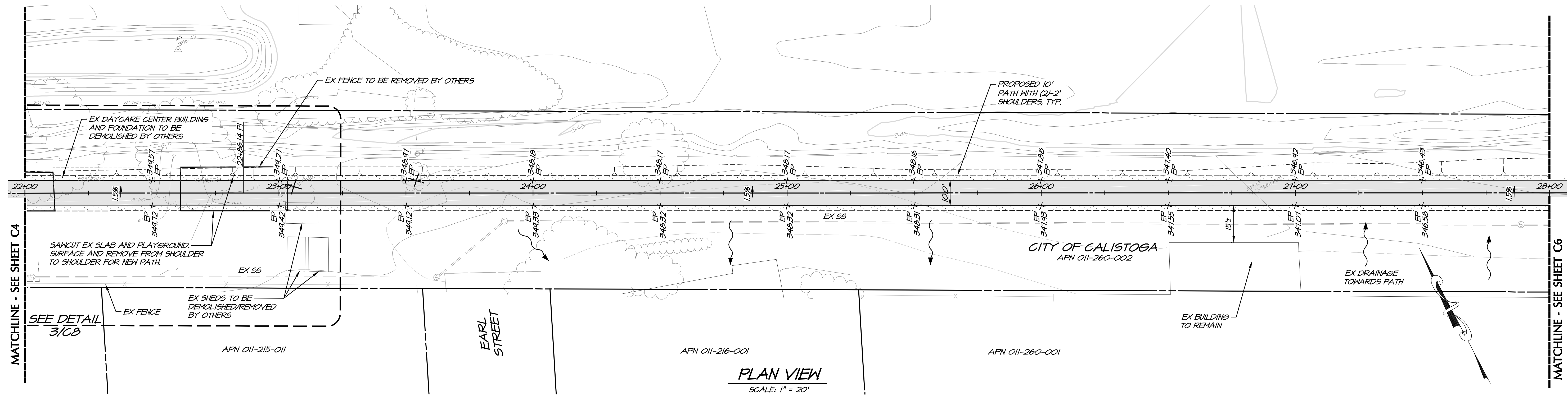
CALIFORNIA

FAIR WAY PATH EXTENSION
PLAN & PROFILE

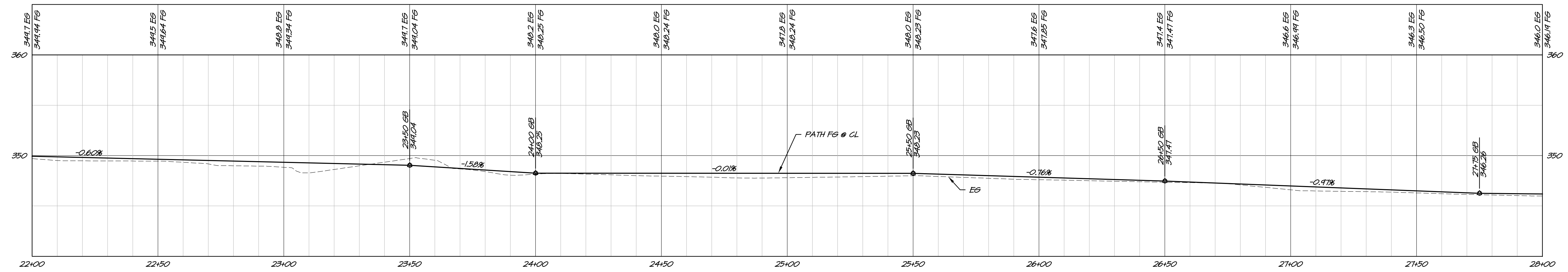
CITY OF CALISTOGA

PROJECT NUMBER
4113069.0
DRAWING DATE
JULY 6, 2016
SHEET NUMBER
C4 OF **8**

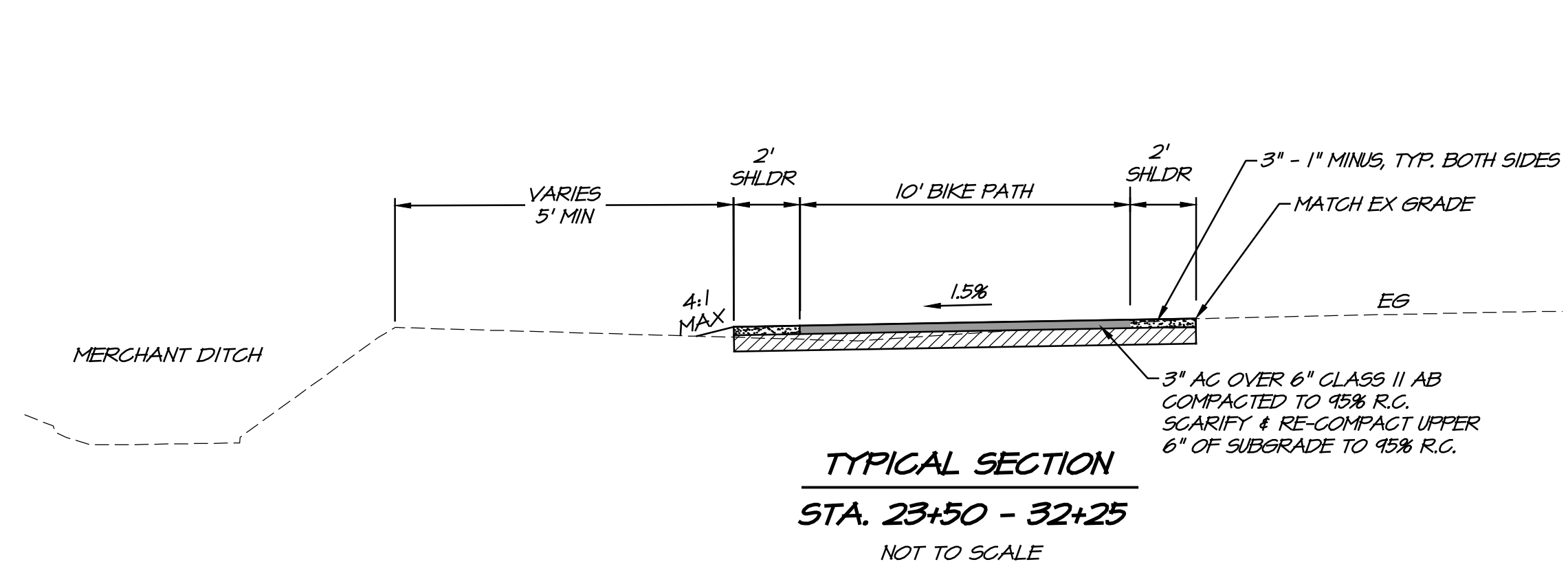
FOR REDUCED PLANS, THE ORIGINAL SCALE IS IN INCHES



PLAN VIEW
SCALE: 1" = 20'

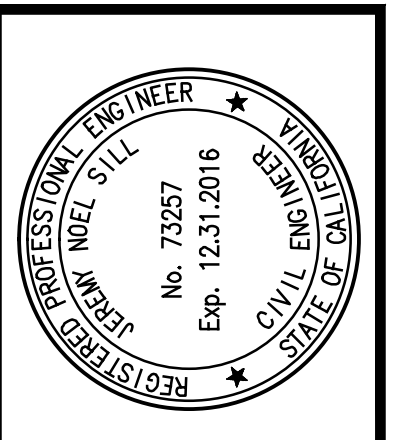
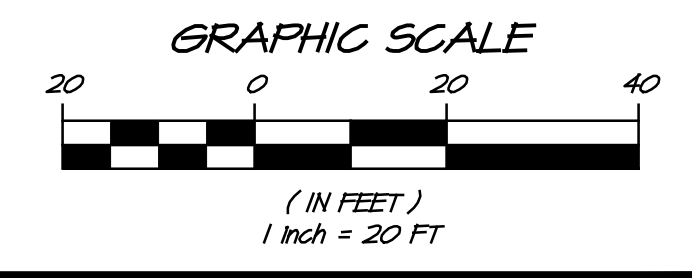


PROFILE
SCALE: 1" = 20'
SCALE: 1" = 5'



TYPICAL SECTION
STA. 23+50 - 32+25
NOT TO SCALE

CONTRACTOR NOTE:
EXISTING GRADES HAVE BEEN MODIFIED SINCE THE TIME OF TOPOGRAPHIC SURVEY. PATH PROFILE IS INTENDED TO FOLLOW TYPICAL SECTIONS FOR RELATION TO EXISTING GRADES/SLOPES.



PREPARED UNDER THE DIRECTION OF
JEREMY NOEL SILL, RCE 73257
DESIGNED BY JNS
DRAWN BY CEC
REVIEWED BY JNS

RSA+
1515 FOURTH STREET
NAPA, CALIF. 94559
OFFICE (707) 252-3301
WWW.RSACIVIL.COM

RSA+ CONSULTING CIVIL ENGINEERS + SURVEYORS + (1980)

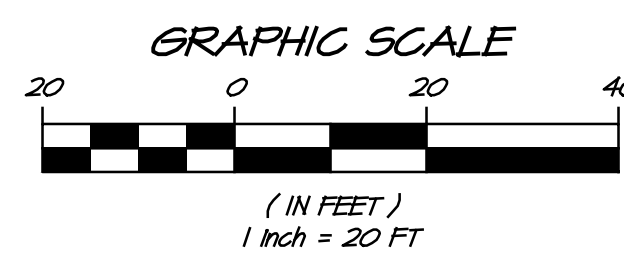
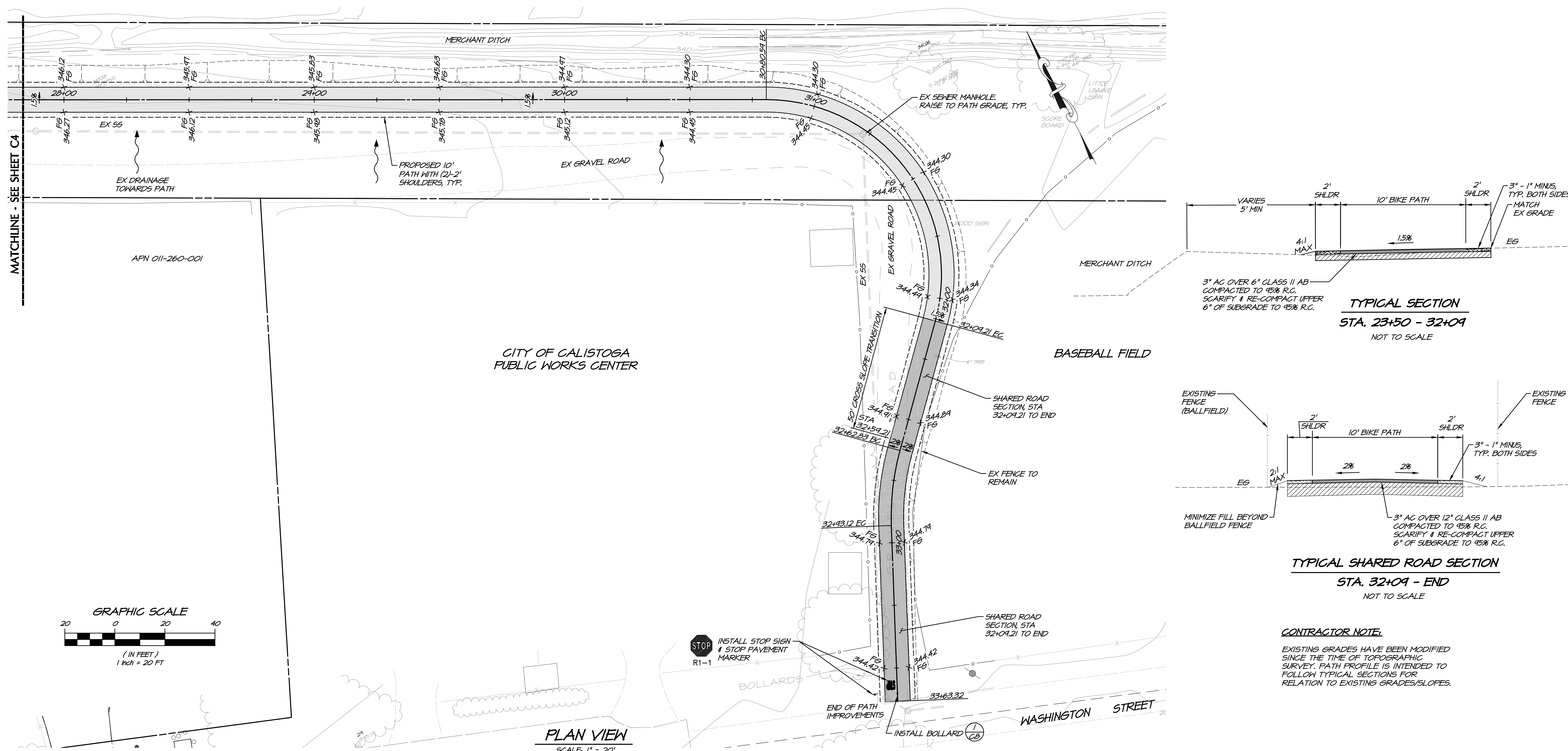


CITY OF CALISTOGA
CALIFORNIA
FAIR WAY PATH EXTENSION
PLAN & PROFILE

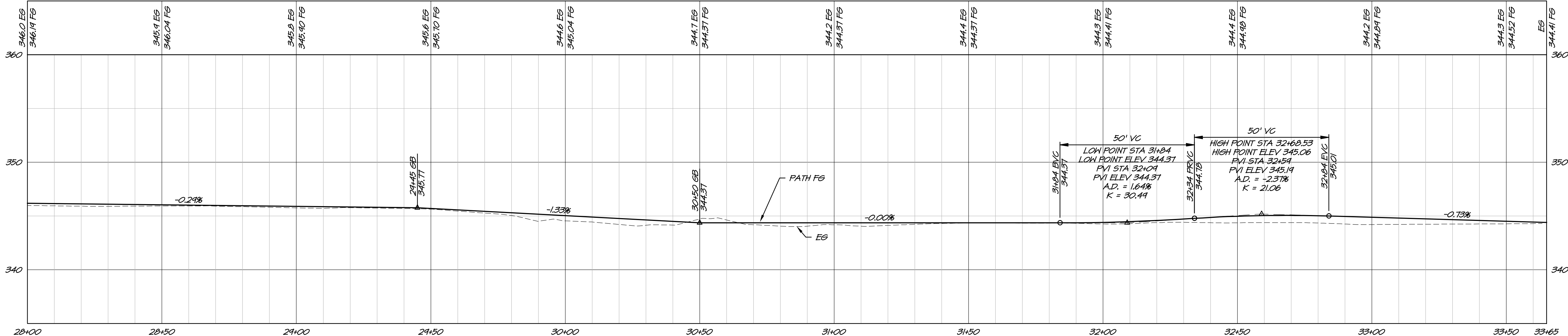
PROJECT NUMBER
4113069.0
DRAWING DATE
JULY 6, 2016
SHEET NUMBER
C5 OF **8**

FOR REDUCED PLANS, THE ORIGINAL SCALE IS IN INCHES

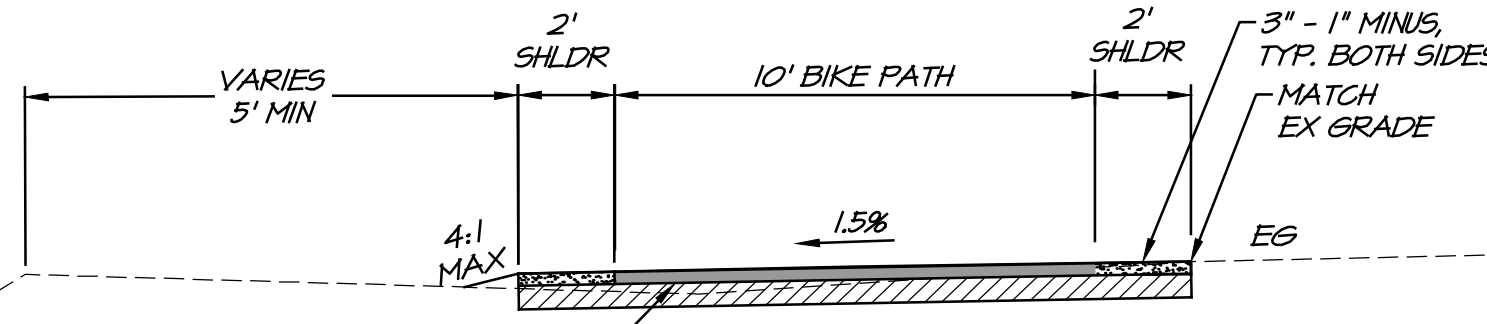
3
2
1
0



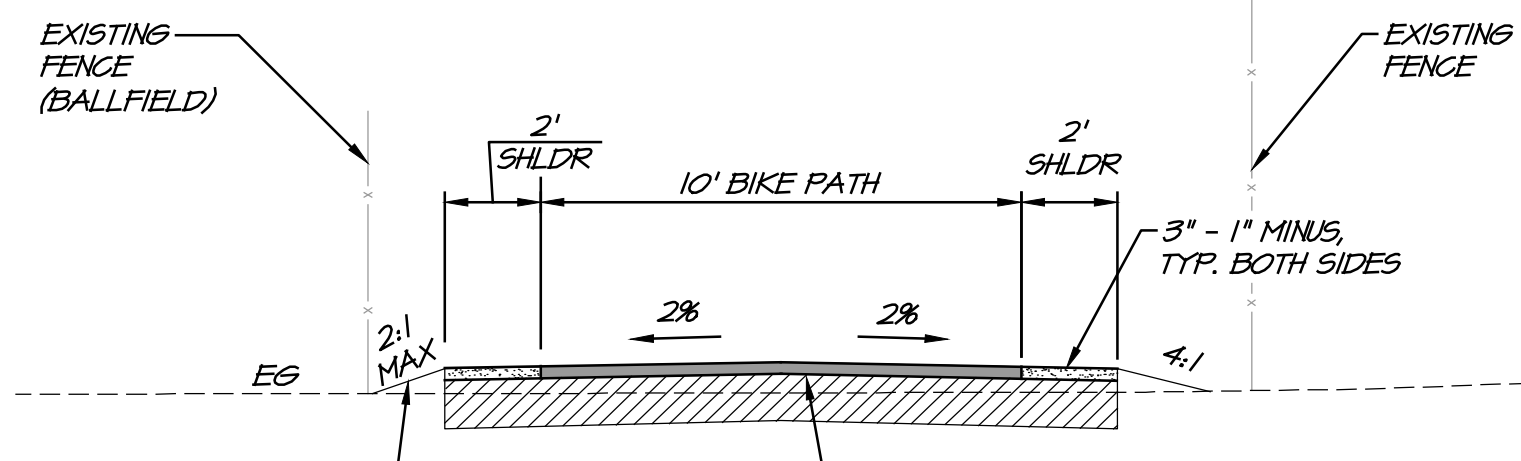
PLAN VIEW
SCALE: 1" = 20'



PROFILE
SCALE: 1" = 20'
SCALE: 1" = 5'

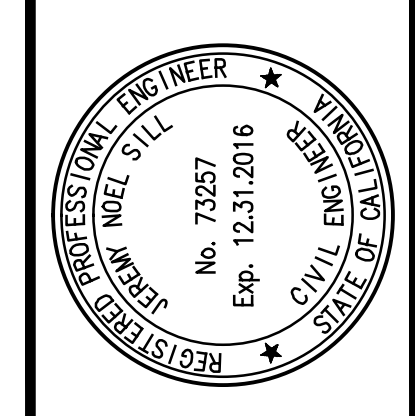


TYPICAL SECTION
STA. 23+50 - 32+09
NOT TO SCALE

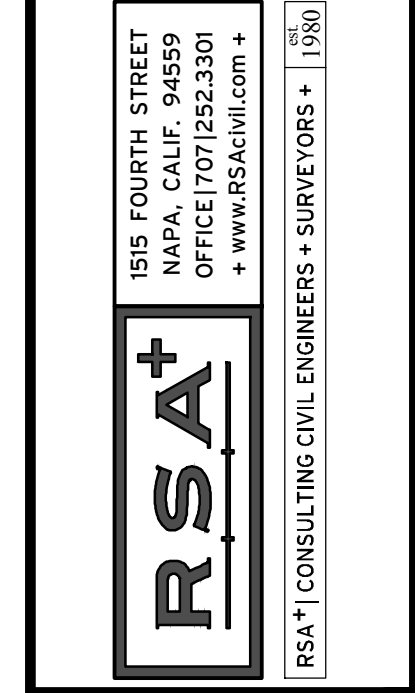


TYPICAL SHARED ROAD SECTION
STA. 32+09 - END
NOT TO SCALE

CONTRACTOR NOTE:
EXISTING GRADES HAVE BEEN MODIFIED SINCE THE TIME OF TOPOGRAPHIC SURVEY. PATH PROFILE IS INTENDED TO FOLLOW TYPICAL SECTIONS FOR RELATION TO EXISTING GRADES/SLOPES.



PREPARED UNDER THE DIRECTION OF
JNS
DESIGNED BY
JNS
DRAWN BY
CEC
REVIEWED BY
JNS
DATE
JULY 6, 2016



FAIR WAY PATH EXTENSION
CITY OF CALISTOGA
CALIFORNIA

PROJECT NUMBER
4113069.0
DRAWING DATE
JULY 6, 2016
SHEET NUMBER
C6 OF 8