

REVISIONS:

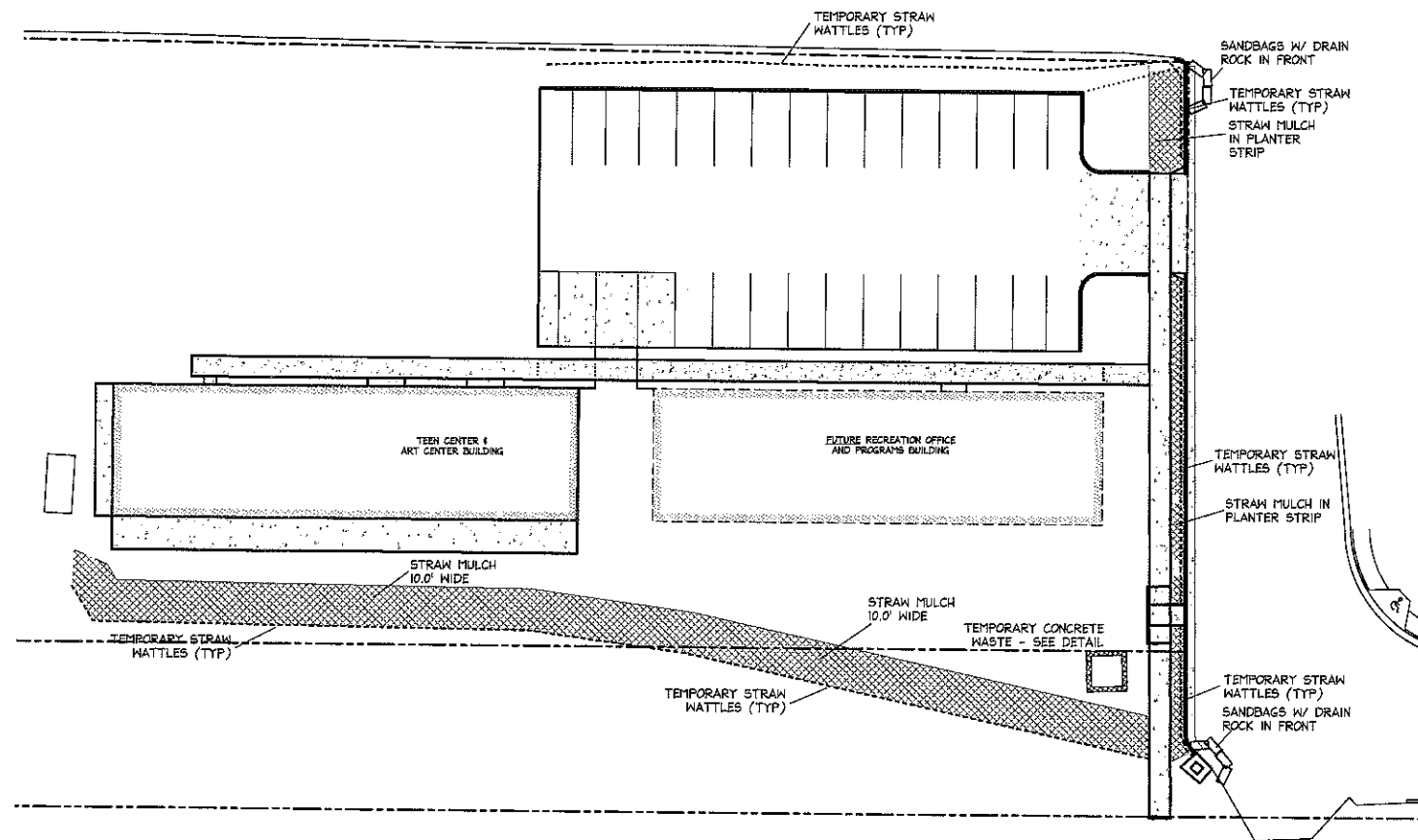
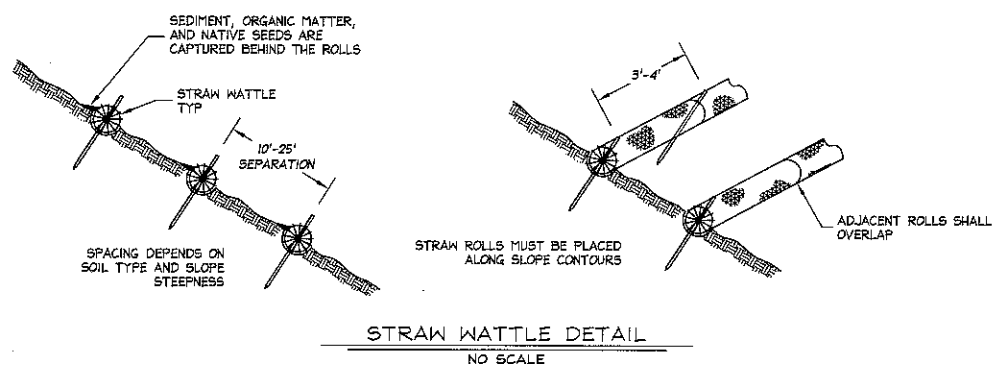
STERK ENGINEERING, INC.
 P.O. Box 575, Calistoga, CA 94515 • (707) 942-2245
 Consulting Civil Engineers • FAX (707) 942-2215
 email: djsterk@att.net

PREPARED FOR:
LOGY TEEN CENTER & ART CENTER BUILDING
 1401 NORTH OAK ST., CALISTOGA, CA 94515
SITE UTILITY LAYOUT PLAN
 APN 011-140-056

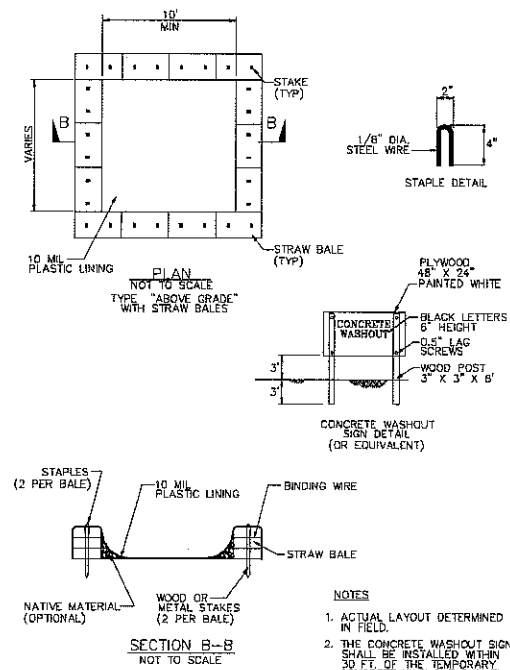


CHECKED BY: DJ STERK
 DRAWN BY: DJ STERK
 DATE: 6 NOV 2009
 JOB #: 07-049
 FILE: 4004.DWG

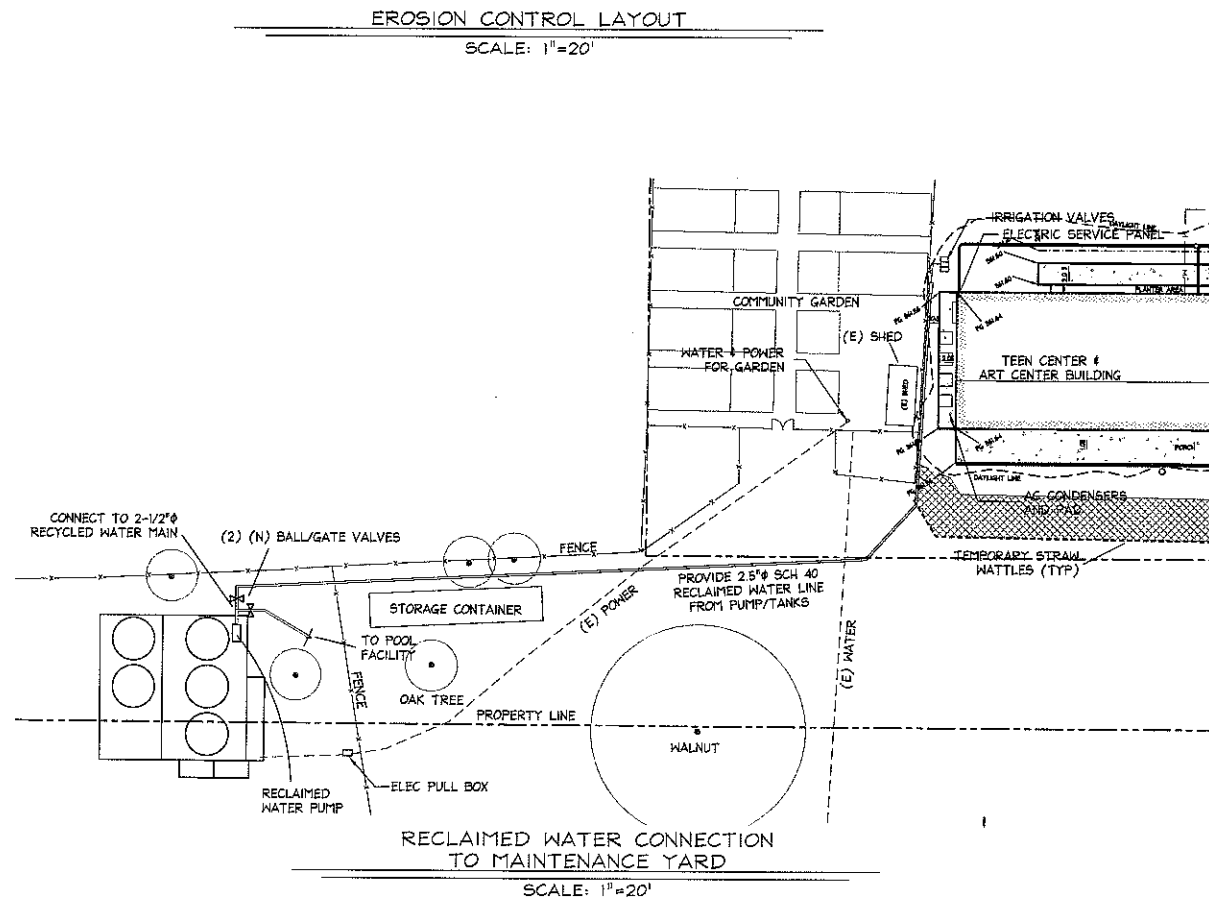
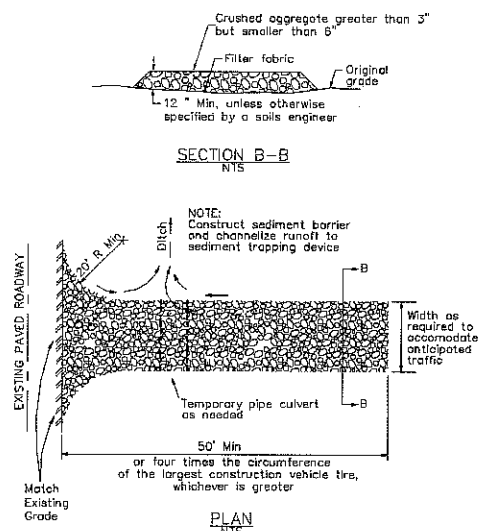
C4.0



Concrete Waste Management WM-8



Stabilized Construction Entrance/Exit TC-1



REVISIONS:

STERK ENGINEERING, INC.
 P.O. Box 575, Calistoga, CA 94515 • (707) 942-2245
 Consulting Civil Engineers • FAX (707) 942-2215
 email: djsterk@att.net

PREPARED FOR:
LOGY TEEN CENTER BUILDING #
ART CENTER BUILDING
 1401 NORTH OAK ST., CALISTOGA, CA 94515
DETAILS
 APN 011-140-056



CHECKED BY: DJ STERK
 DRAWN BY: DJ STERK
 DATE: 23 JUL 2009
 JOB #: 07-049
 FILE: 3006.DWG

C6.0